



Technical Data

Co-Axial, Satellite & Triplex Outlets

Brief product description:

The screwless slim line design in a range of finishes will blend with any décor - suitable for domestic or commercial installations.

Features:

- Fixed integrated plastic gasket to protect metal edges from moisture
- Under 5mm thick
- Flat profile with rounded edges
- Available in 4 metal finishes
- Secure easy "Clip on, Clip off frontplate design

Product Images

Black Nickel

FBN60

FBN61

FBN62*

FBN63*

FBN64*

FBN65

FBN66

FBN67

FBN68

Polished Chrome

FPC60

FPC61

FPC62*

FPC63*

FPC64*

FPC65

FPC66

FPC67

FPC68

Polished Brass

FPB60

FPB61

FPB62*

FPB63*

FPB64*

FPB65

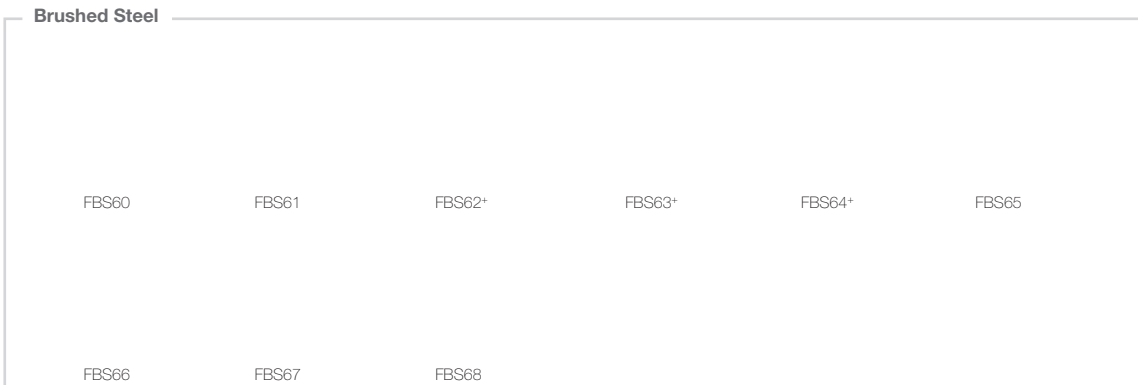
FPB66

FPB67

FPB68

Co-Axial And Satellite Sockets

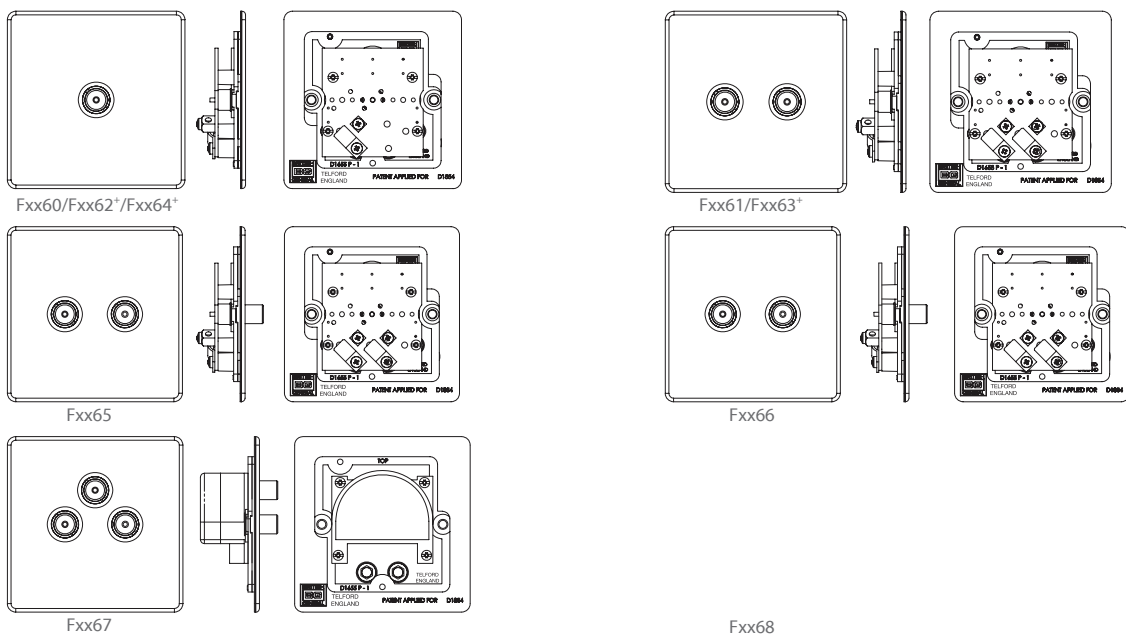
Product Images



Technical Specifications

Standard(s)	BS3041 & BS5733, additionally BS 6312-2 for Fxx68
RoHS Directive	No
WEEE Directive	No
Mounting Box Depth(Min)	25mm (Fxx60, Fxx61, Fxx62+, Fxx63+, Fxx64+, Fxx65, Fxx66 products) 35mm (Fxx67, Fxx68 products)
Fixing Centres	60.3mm (Fxx60, Fxx61, Fxx62+, Fxx63+, Fxx64+, Fxx65, Fxx66, Fxx67 products) 120.6mm (Fxx68 product)
Size	87.4mm x 87.4mm x 27mm (Fxx60, Fxx61, Fxx62+, Fxx63+, Fxx66 products) 87.4mm x 87.4mm x 35mm (Fxx64+, Fxx65 products) 87.4mm x 87.4mm x 38mm (Fxx67 product) 147.9mm x 87.4mm x 38mm (Fxx68 product)

Line Diagrams



Co-Axial And Satellite Sockets

Weights & Dimensions

Cat No.	Description	Pack Quantity			Dimension (W x L x H) cm			Weight (g)			CMB (m ³)
		Each	Inner Box	Outer Box	Product	Inner Box	Outer Box	Each	Inner Box	Outer Box	
Fxx60	1G Co-Axial Socket	1	10	100	3.3 x 9 x 9.2	20 x 18 x 9.8	41.5 x 52.5 x 19				
Fxx61+	2G Co-Axial Socket	1	10	100	3.3 x 9 x 9.2	20 x 18 x 9.8	41.5 x 52.5 x 19				
Fxx62+	1G Isolated Co Socket	1	EM		3.3 x 9 x 9.2	20 x 18 x 9.8	41.5 x 52.5 x 19				
Fxx63+	2G Isolated Co Socket	1	EM		3.3 x 9 x 9.2	20 x 18 x 9.8	41.5 x 52.5 x 19				
Fxx64+	1G Satellite Socket	1	EM		3.3 x 9 x 9.2	20 x 18 x 9.8	41.5 x 52.5 x 19				
Fxx65	2G Sat.&Co Socket	1	10	100	4.8 x 9 x 9.2	20 x 25.5 x 9.8	41.5 x 52.5 x 26.5				
Fxx66	2G Diplex TV/FM	1	10	100	3.3 x 9 x 9.2	20 x 18 x 9.8	41.5 x 52.5 x 19				
Fxx67	3G Triplex TV/FM/Sat	1	10	100	4.8 x 9 x 9.2	20 x 25.5 x 9.8	41.5 x 52.5 x 26.5				
Fxx68	Triplex with BT , Co.	1	5	50	4.8 x 9 x 15.2	16 x 25.5 x 9.8	33.5 x 52.5 x 26.5				

Packaging Information

Cat No.	Description	Barcode			Cat No.	Description	Barcode		
		Individual	Inner Box	Outer Box			Individual	Inner Box	Outer Box
FBS60	1G Co-Axial Socket	5050765006408	/	/	FBS65	2G Sat.&Co Socket	5050765006422	/	/
FPC60	1G Co-Axial Socket	5050765005470	/	/	FPC65	2G Sat.&Co Socket	5050765005494	/	/
FPB60	1G Co-Axial Socket	5050765008549	/	/	FPB65	2G Sat.&Co Socket	5050765018654	/	/
FBN60	1G Co-Axial Socket	5050765006897	/	/	FBN65	2G Sat.&Co Socket	5050765006910	/	/
FBS61+	2G Co-Axial Socket	5050765006415	/	/	FBS66	2G Diplex TV/FM	5050765006439	/	/
FPC61+	2G Co-Axial Socket	5050765005487	/	/	FPC66	2G Diplex TV/FM	5050765005500	/	/
FPB61+	2G Co-Axial Socket	5050765018647	/	/	FPB66	2G Diplex TV/FM	5050765018661	/	/
FBN61+	2G Co-Axial Socket	5050765006903	/	/	FBN66	2G Diplex TV/FM	5050765006927	/	/
FBS62+	1G Isolated Co Socket		/	/	FBS67	3G Triplex TV/FM/Sat	5050765006446	/	/
FPC62+	1G Isolated Co Socket		/	/	FPC67	3G Triplex TV/FM/Sat	5050765005517	/	/
FPB62+	1G Isolated Co Socket		/	/	FPB67	3G Triplex TV/FM/Sat	5050765018678	/	/
FBN62+	1G Isolated Co Socket		/	/	FBN67	3G Triplex TV/FM/Sat	5050765006934	/	/
FBS63+	2G Isolated Co Socket		/	/	FBS68	Triplex with BT , Co.	5050765006453	/	/
FPC63+	2G Isolated Co Socket		/	/	FPC68	Triplex with BT , Co.	5050765005524	/	/
FPB63+	2G Isolated Co Socket		/	/	FPB68	Triplex with BT , Co.	5050765018685	/	/
FBN63+	2G Isolated Co Socket		/	/	FBN68	Triplex with BT , Co.	5050765006941	/	/
FBS64+	1G Satellite Socket		/	/	FPB64+	1G Satellite Socket		/	/
FPC64+	1G Satellite Socket		/	/	FBN64+	1G Satellite Socket		/	/

Co-Axial And Satellite Sockets

Installation Information

Safety Warning

Before use please read and carefully use in accordance with these safety wiring instructions.

To ensure a satisfactory operation these products should be installed by a competent person. If in doubt seek advice from a qualified engineer.

These products should not be installed into the same enclosure containing mains exceeding 50V. Avoid running the telecom cable within 50mm of mains electrical cable.

Socket Types

1. Non-Isolated – Intend for use in installations with direct connection to the Aerial down-lead.

2. Isolated – This type of co-axial outlet provides a safety installation between the Aerial down-lead and the co-axial socket. These sockets are not suitable for use in systems where DC signals are passed through the socket. For example, where masthead/headend equipment is controlled by receiver/decoder equipment).

3. TV/FM Diplex – This diplexer unit separates the TV and FM band signals from systems where both signals are combined on a single aerial down-lead.

Technical Helpline: 0845 194 7584
If in doubt consult a competent electrician.

General Installation Instructions

- 1) If using the new product to replace an old one, note the cable connections and wire up new product in the same way as the old one, with Earthing as stated in these instructions.
- 2) Ensure the mounting box (metal or patress) for either flush or surface mounting is the appropriate size for the product.
- 3) Route the cable through the most suitable entry point of the mounting box. If a metal box is used, a protective cable grommet should be used.
- 4) Strip the cable to the dimensions shown in the diagram opposite. (Fig.1)
- 5) Connect the inner conductor to the square terminal block and securely clamp the screening braid under the clamp, ensuring that there are no loose conductor strands that may cause short circuits. To assist with the correct installation of this product please consult the appropriate wiring diagram.
- 6) When tightening the screening braid clamps ensure that the cable is firmly gripped and that the inner insulation is not squashed flat beyond a slight oval shape. Always tighten the terminal screws securely, but do not overtighten.
- 7) Carefully position the accessory into the wall box, ensuring that no wires are trapped between the plate and the wall. Do not overtighten the screws. (Fit screw covers + clip-on front-plate as appropriate)
- 8) Once work has been completed correctly, the product is now ready for use.

* Note - If your installation uses a four lug metal mounting box, remove the top and bottom lugs or bend fully back.

Decorative Front Plate Fixing

Fixing method varies depending on which product range is supplied. Always ensure wall surface is reasonably flat and smooth, with no bumps or projections.

Metal Front plates WITH screw fixing holes. These products comprise main unit with integral front plate and rear gasket. Fix unit to back box using two fixing screws supplied.

Front plates WITHOUT screw fixing holes. These products comprise main unit with integral gasket, and front plate as separate item. Fix unit to back box using two fixing screws supplied.

Clip front plate onto main assembly, ensuring screwdriver notch is located bottom right hand corner. To remove plate, place medium size flat bladed screwdriver in notch and lever off against gasket.

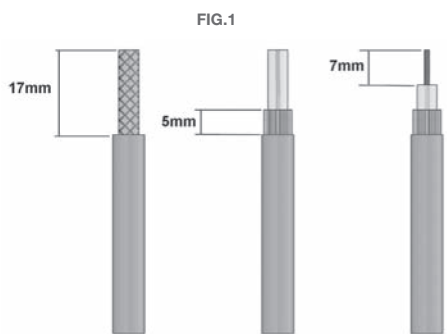
For all Decorative Plates - It is essential the gasket is fitted between product and wall, to reduce possibility of discolouration of front plate edges due to natural moisture in some wall finishes.

To keep the finish of this product, wipe over with soft cloth periodically.

All Decorative products MUST have an earth connection between the front-plate and back box

Connection Diagram For

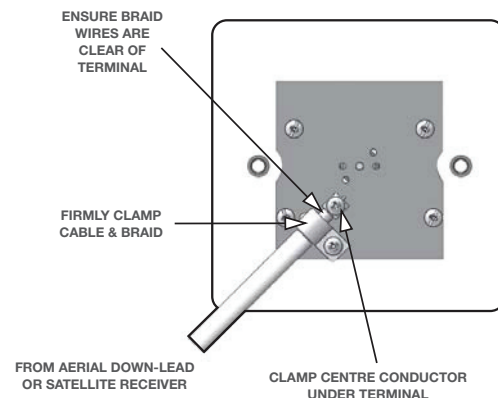
1 Gang Co-axial Socket, 1 Gang Isolated Co-axial Socket, Satellite F-Type Socket, and TV/FM Diplex Socket.



Step 1: Remove 17mm of outer sheath

Step 2: Twist screening braid back onto itself until 5mm long

Step 3: Remove 7mm of inner insulating sheath



Co-Axial And Satellite Sockets

Installation Information

Connection Diagram For

2 Gang Co-axial Socket, 2 Gang Isolated Co-axial Socket, and 2 Gang Satellite F-Type Socket and Co-axial socket.

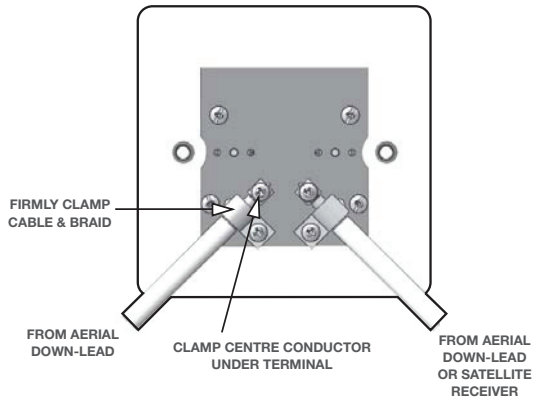
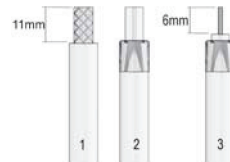
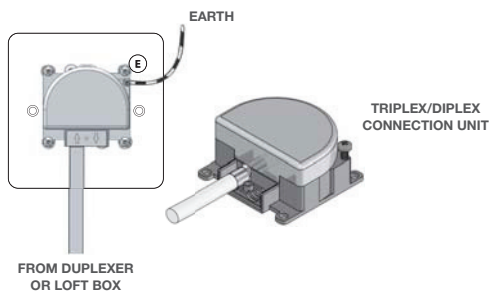


FIG.1

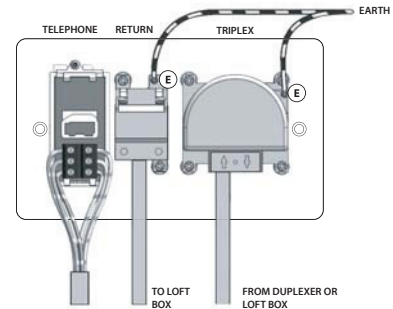


Triplex – Tv/Fm/Sat Outlet And Diplex - Tv/Fm Connection

1. Fully loosen the cable clamp securing screws and remove cable clamp.
2. Fully push the centre copper core of the aerial cable into hole provided. Ensure that no loose strands of copper braid are touching the inner copper core.
3. Replace the cable clamp and secure by tightening the screw. Do not overtighten to avoid crushing the cable.
4. An earth bond terminal is provided if required.

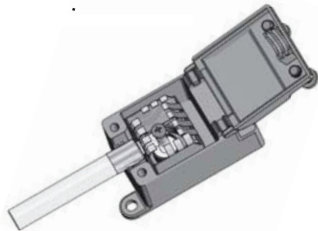


Triplex – Tv/Fm/Sat Outlet Plate With Return And Telephone Outlet



Return Connection (Back To Loft Box)

1. Fully loosen the two lid securing screws, and open the lid.
2. Loosen but do not remove the centre terminal screw.
3. Insert the centre copper core of the aerial cable into the terminal hole. Ensure that no loose strands of copper braid are touching the inner copper core. Secure by lightly tightening the terminal screw.
4. Close the lid and tighten the securing screws. Do not overtighten to avoid crushing the cable.
5. An earth bond terminal is provided if required.



Telephone Socket Connection - Slave Socket provided with unit

The ends of the individual conductors should have the insulation removed by approx. 8mm. Connect each wire as per the BT Wiring Scheme below. Ensure that only the bare end of the wire enters the terminal, and no bare wires are visible. Always tighten the terminal screws securely.



BT Wiring Scheme

Terminal / Line	Colour
1	Green with White rings
2	Blue with White rings
3	Orange with White rings
4	White with Orange rings
5	White with Blue rings
6	White with Green rings

***Note** - An existing installation may use a different wiring colour code system. It is essential that the new product is wired up in the same way as the old one.

The simplest way is either to label each conductor with the location of the terminal to which it connects as you release it or to transfer one conductor at a time to the corresponding terminal on the new product.