

6. GUARANTEE AND SERVICE POLICY

The Hyco Hurricane is supplied with a standard 12 month replacement warranty (excluding Lamps) that protects against any manufacturing defects for up to 1 year of the original purchase date. In the event of a product failure please contact Hyco on 01977 517555. Incidental or consequential damages are excluded from this warranty.

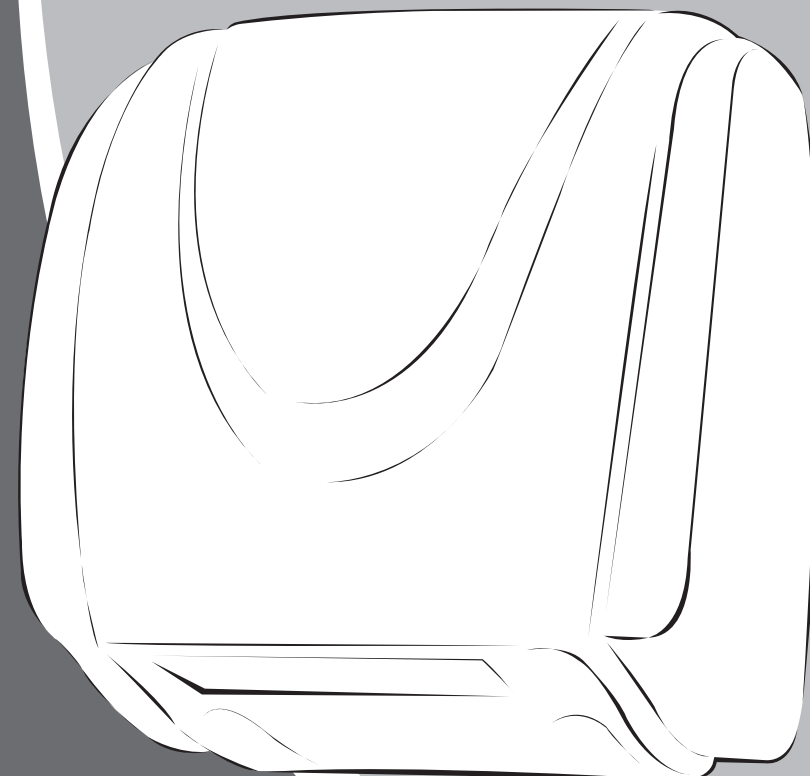
HYCO
Manufacturing Ltd

Hyco Manufacturing Ltd
California Drive
Castleford
WF10 5QH

Tel: 01977 517555 Fax: 01977 517666

Web: www.hyco.co.uk

E-mail: sales@hyco.co.uk



HYCO
Manufacturing Ltd

HURRICANE HAND DRYER HD1800

Instruction Manual

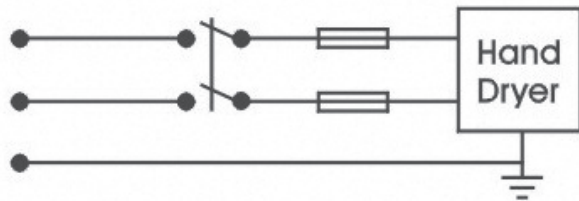
VERSION 1.2 MAY 2010

HYCO HURRICANE HAND DRYER HD1800

Thank you for purchasing the Hyco Hurricane Hand Dryer. Please read and understand these instructions before commencing installation, and leave them with the user when installation is complete.

1. SAFETY

- The Electrical Installation must be carried out by a qualified electrician in accordance with the current edition of the I.E.E. Wiring Regulations.
- Electrical connection must be made to the fixed wiring of the property using a double pole isolating switch, with a break contact distance of at least 3mm.
- This appliance must be grounded.



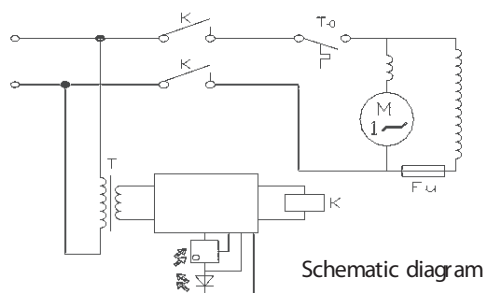
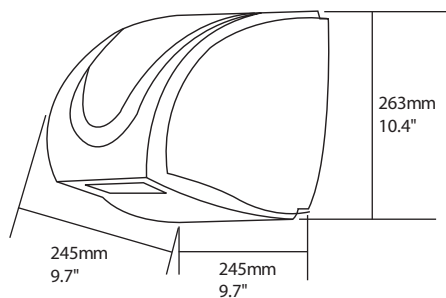
- Only connect the Hand dryer to a single phase supply with a mains voltage as specified on the rating plate.
- Do not cover the air inlet or outlet.
- The Hand dryer must be installed out of reach of persons using a bath or shower.
- This appliance is not intended for use by persons (including children) with reduced physical, sensory or mental capabilities or lack of experience and knowledge, unless they have been given supervision or instruction concerning use of the appliance by a person responsible for their safety.

4. CLEANING AND MAINTENANCE

- Clean using a soft, damp cloth.

5. SPECIFICATIONS

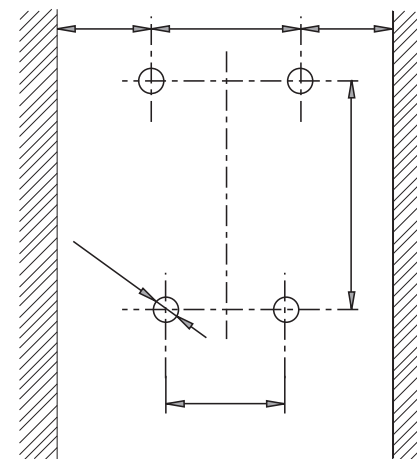
- Voltage: 230v-50Hz
- Rated Power: 1800W
- Current: 7.8A
- Universal Brush Motor 5600rpm
- Air Speed: 17.8m/s
- IP Rating: IPX 1
- Weight: 4.1kg



2. INSTALLATION

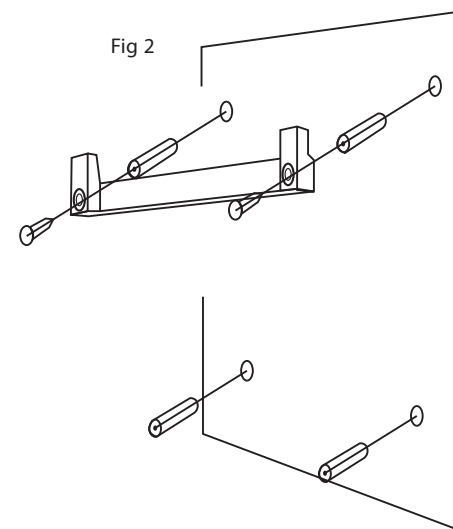
- Please follow all safety instructions when installing the unit.
- Using the template provided (see fig 1), drill 4 holes of 6mm diameter and 35mm deep.

Fig 1



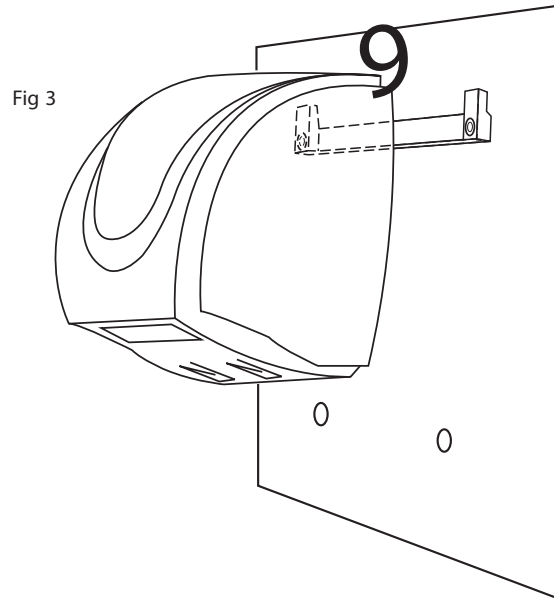
- Fix the installation bracket to the two holes at the top using the fixings provided (see fig 2).

Fig 2

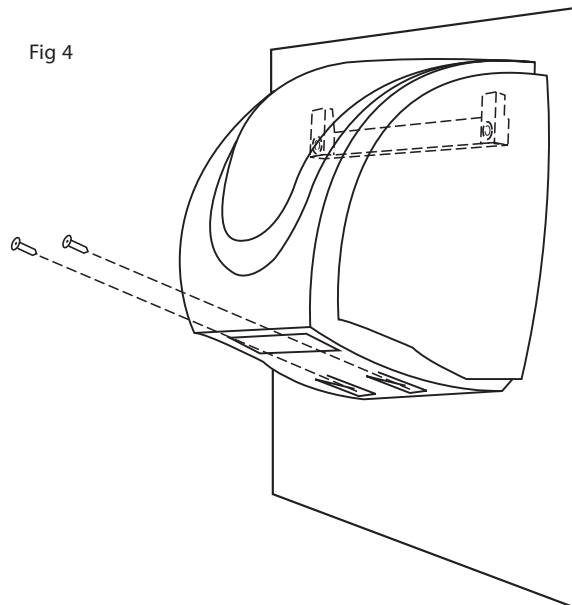


2. INSTALLATION (Continued)

- Fix the Hand dryer in place by hooking it onto the bracket (see fig 3)



- and securing it at the bottom using the fixings provided (see fig 4).



3. OPERATION

- Shake excess water from hands.
- To activate the hand dryer, place your hands underneath the air outlet to operate the sensor.
- Rub hands together lightly and rapidly.
- The dryer will stop automatically 1 second after removing hands.
- The dryer will also automatically cut-out after 1 minute of consecutive use.
- To re-start the hand dryer, put hands back underneath and re-operate the sensor.
- The sensitivity of the sensor can be adjusted by removing the cover and accessing the Printed Circuit Board (see fig 5)

