

6. GUARANTEE AND SERVICE POLICY

The Hyco Hurricane is supplied with a standard 12 month replacement warranty (excluding Lamps) that protects against any manufacturing defects for up to 1 year of the original purchase date. In the event of a product failure please contact Hyco on 01977 517555. Incidental or consequential damages are excluded from this warranty.

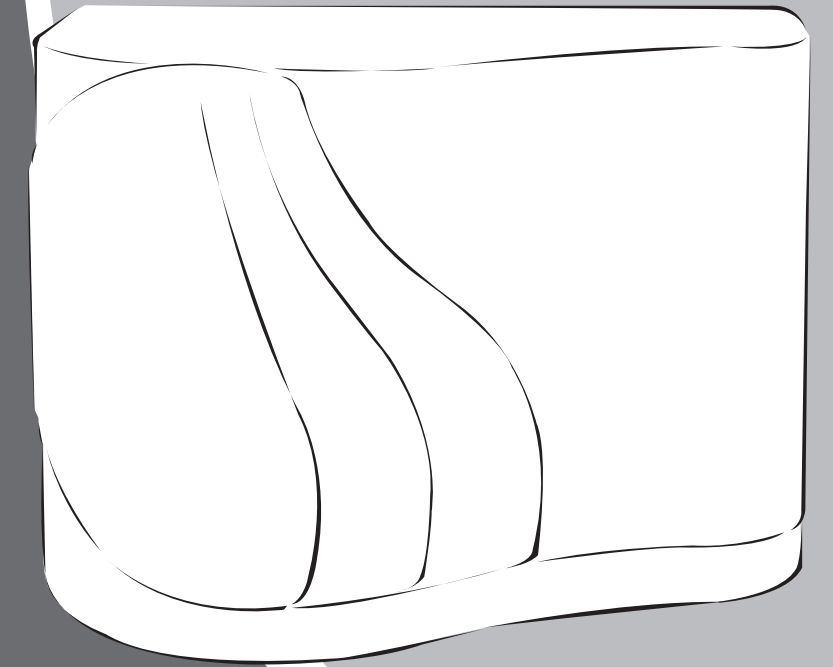
HYCO
Manufacturing Ltd

Hyco Manufacturing Ltd
California Drive
Castleford
WF10 5QH

Tel: 01977 517555 Fax: 01977 517666

Web: www.hyco.co.uk

E-mail: sales@hyco.co.uk



HYCO
Manufacturing Ltd

HURRICANE HAND DRYER HD1600

Instruction Manual

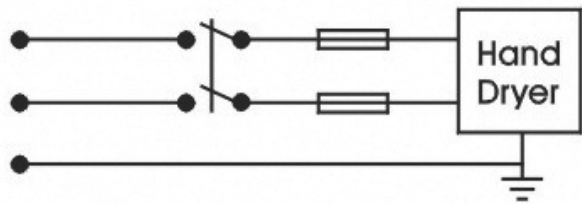
VERSION 1.1 NOV 2007

HYCO HURRICANE HAND DRYER HD1600

Thank you for purchasing the Hyco Hurricane Hand Dryer. Please read and understand these instructions before commencing installation, and leave them with the user when installation is complete.

1. SAFETY

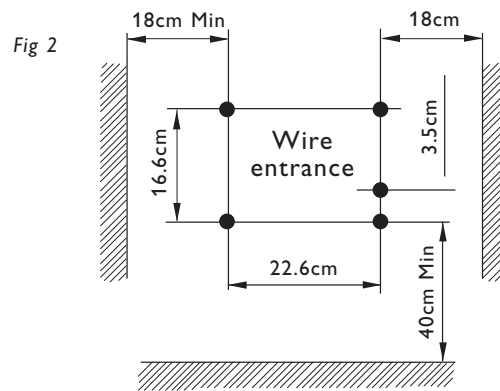
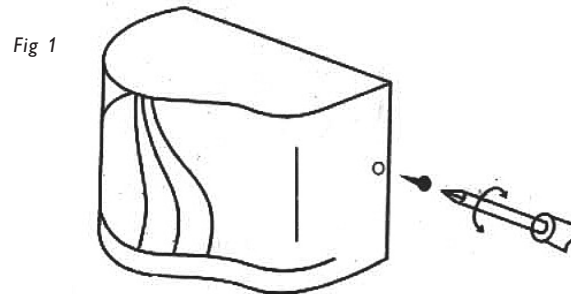
- **The Electrical Installation must be carried out by a qualified electrician in accordance with the current edition of the I.E.E. Wiring Regulations.**
- Electrical connection must be made to the fixed wiring of the property using a double pole isolating switch, with a break contact distance of at least 3mm.
- This appliance must be grounded.



- The power cord should be connected following the colour coding below:
 - ▶ Brown: L
 - ▶ Blue: N
 - ▶ Green / Yellow striped: E
- Only connect the Hand dryer to a single phase supply with a mains voltage as specified on the rating plate.
- Do not cover the air inlet or outlet.
- The Hand dryer must be installed out of reach of persons using a bath or shower.

2. INSTALLATION

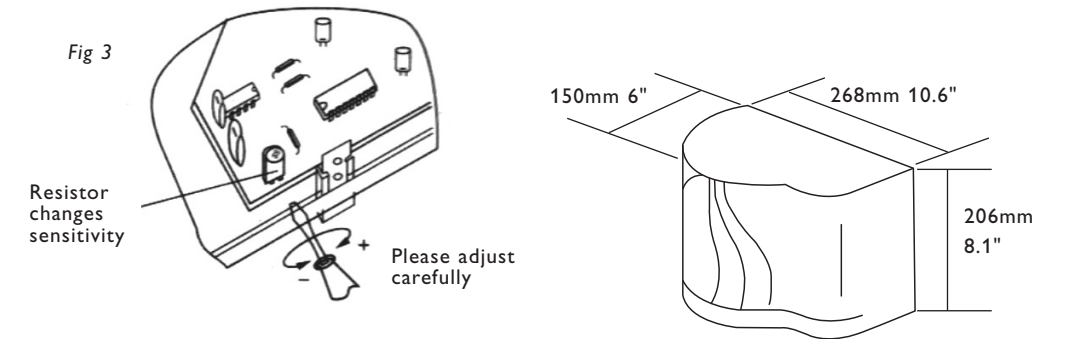
- Please follow all safety instructions when installing the unit.
- Remove screws from the side of the cover as per Fig 1. Detach the earth wire from the base carefully.
- Drill 4 holes of 8mm diameter following Fig 2 below (note that the entry for the power cord is located at the right hand side, 3.5 cm above the bottom right mounting hole).
- The unit must be mounted at least 40cm above any surface and a minimum space of 18cm between the sides of the unit and any other surface.



- Insert the power cord and connect as specified following the safety instructions.
- Re-attach the earth wire in the frame and replace the cover.
- Once the Hand dryer is installed correctly, switch on the power.

3. OPERATION

- Shake excess water from hands.
- To activate the hand dryer, place your hands underneath the air outlet to operate the sensor.
- Rub hands together lightly and rapidly.
- The dryer will stop automatically 1 second after removing hands.
- The dryer will automatically cut out after 1 minute of consecutive use.
- To re-start the hand dryer, put hands back underneath and re-operate the sensor.
- The sensitivity of the sensor can be adjusted by removing the cover and accessing the Printed Circuit Board (see fig 3)

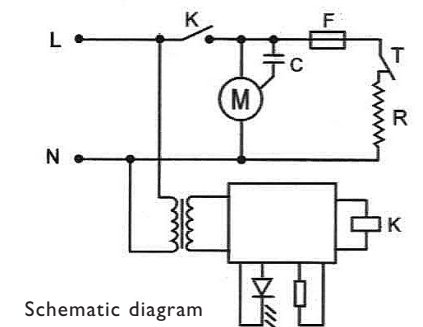


4. CLEANING AND MAINTENANCE

- Wipe clean using a soft, damp cloth.

5. SPECIFICATIONS

- Voltage: 230v-50Hz
- Rated Power: 1600W
- Current: 6.9A
- IP Rating: IPX1
- Weight: 3.85kg
- Adjustable IR Sensor sensitivity



Schematic diagram