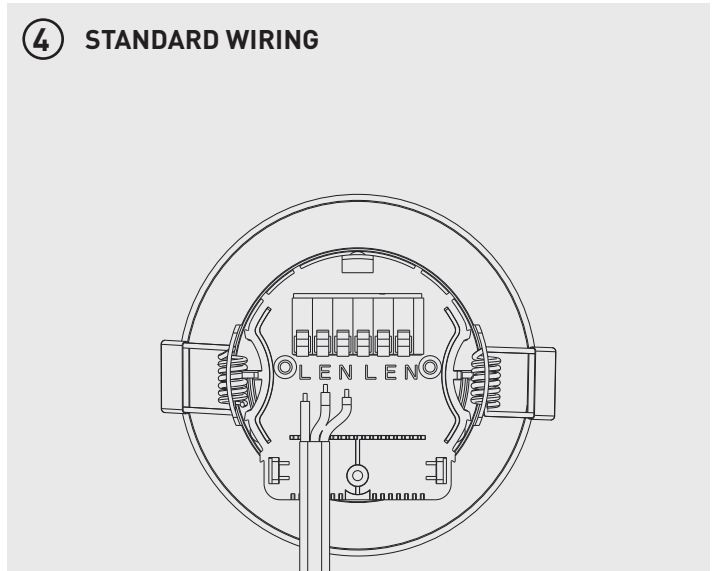
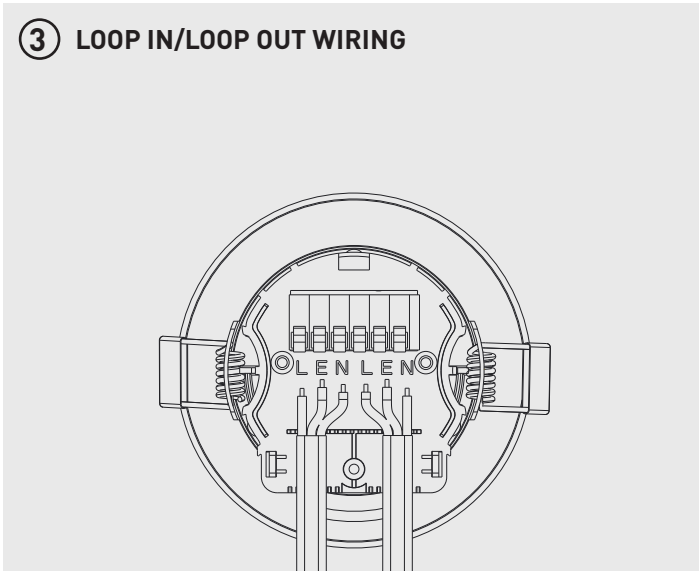
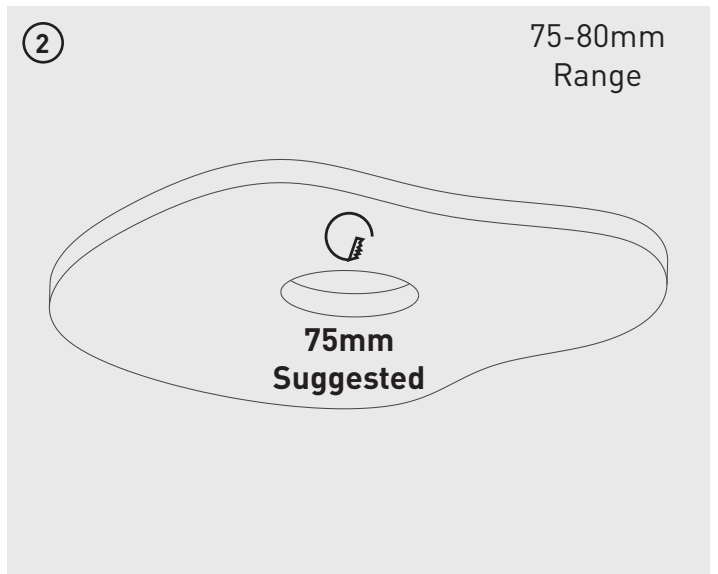
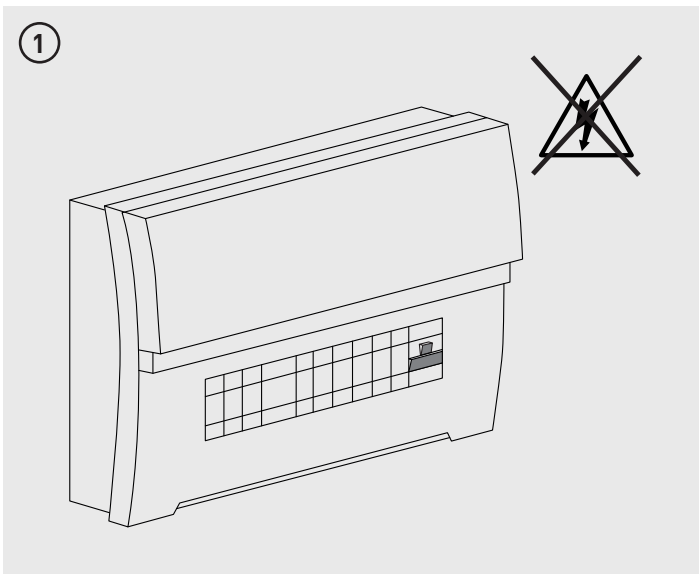


LED FTYPE FIXED DIMMABLE FIRE RATED DOWNLIGHT RANGE

ASSEMBLY AND INSTALLATION

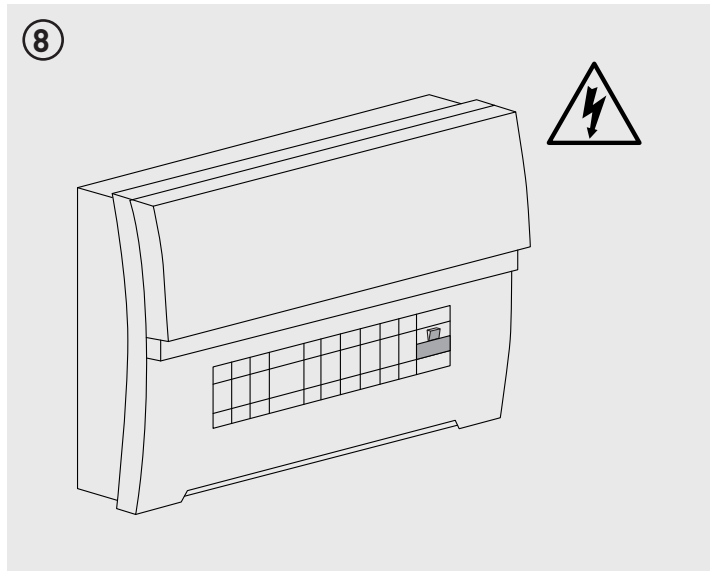
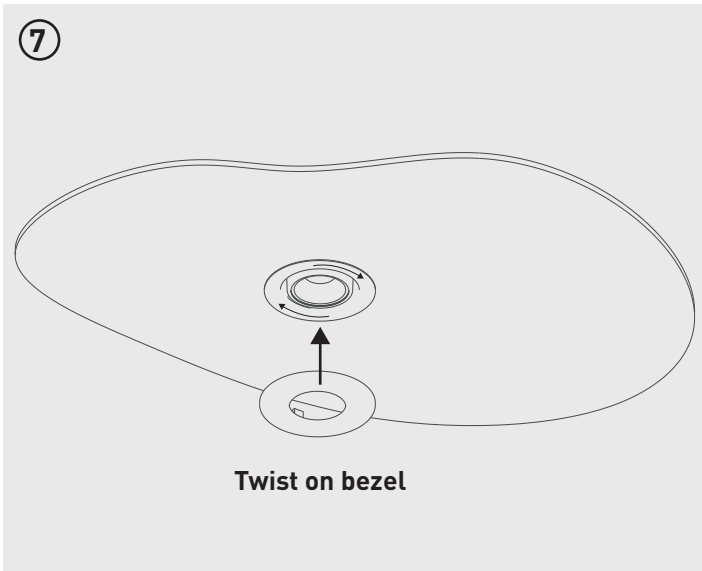
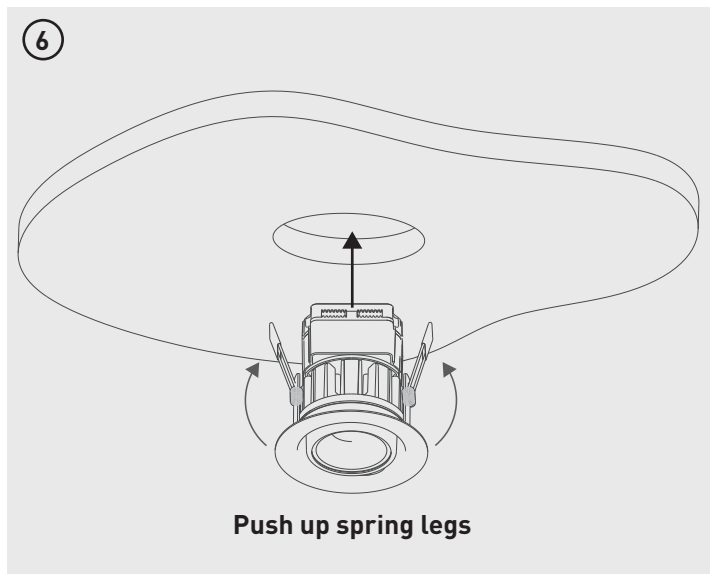
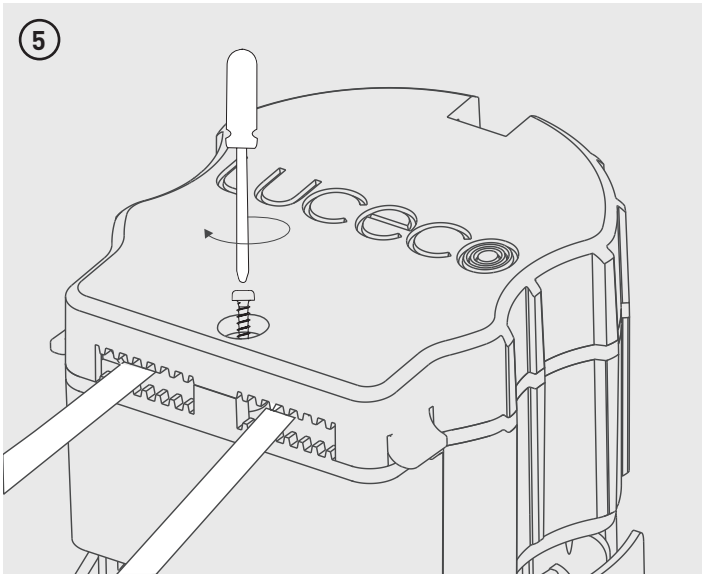
- This product is only suitable for indoor use
- This product is suitable for direct insulation cover (layover and blanket)
- This product must be disconnected before insulation resistance testing of the lighting circuit
- IP65 rated – zone 1 & 2 suitable

BEAM ANGLE 60°	CRI >83	MATT WHITE BEZEL SUPPLIED	IP65 RATED	INSULATION COVERABLE
ACOUSTIC PART C	AIR LEAKAGE PART E	30min FIRE RATED	60min FIRE RATED	90min FIRE RATED
			25,000 HOURS	3 year standard WARRANTY

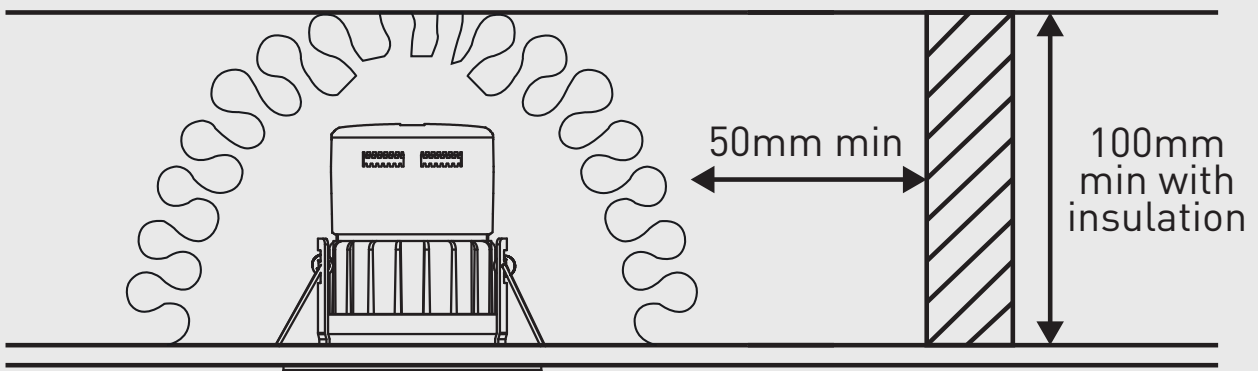


Brown - (L), Blue - (N), Green/Yellow -

Brown - (L), Blue - (N), Green/Yellow -



ONLY TO BE USED WITH LAYOVER OR BLANKET INSULATION



Tech Help Line

UK - **0330 0249 279**
 Non UK - **+44 (0)1952 238 100**
 Supplied by LUCECO
 Stafford Park 1, Telford,
 Shropshire, England, TF3 3BD

Kontakt

UK - **0330 0249 279**
 Non UK - **+49 40 89066 878 - 29**
 Geliefert von Luceco
 GmbH Holstenplatz 20b,
 22765 Hamburg DEUTSCHLAND

Support Technique

UK - **0330 0249 279**
 Non UK - **+33 (0)1 61 10 10 35**
 Notice fournie par
 Luceco SAS France & Belux 3
 Rue de Courtalin, Magny Le Hongre 77700
 FRANCE & BELUX

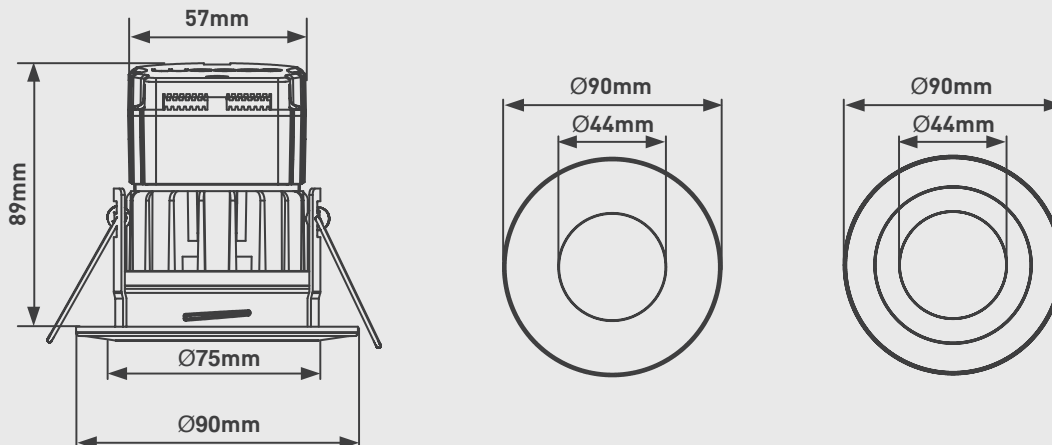
Servicio de asistencia telefónica

UK - **0330 0249 279**
 Non UK - **+34 93 576 83 21**
 Facilitado por BG Electrical Ltd
 Liessamins, 6, 08338,
 Premia de Datt Barcelona, Spain

Assistenza tecnica telefonica

UK - **0330 0249 279**
 Non UK - **+39 0434 1696795**
 Fornito da BG Electrical Ltd Nexus
 Italia, Via Amman 10 33170
 Pordenone, Italy

PRODUCT DIMENSIONS



DOWNLIGHTS

CAT NO.	VOLTAGE / Hz	WATTAGE	LUMINAIRE LUMENS	EFFICACY Llm/W	COLOUR TEMP.	BEAM ANGLE	POWER FACTOR	SUGGESTED CUTOUT	RECESS
EFT60W30-02	220-240V 50-60Hz	6W	600lm	100Llm/W	3000K	60°	0.9	75mm	90mm
EFT60W40-02	220-240V 50-60Hz	6W	600lm	100Llm/W	4000K	60°	0.9	75mm	90mm
EFT80W30-02	220-240V 50-60Hz	8W	760lm	95Llm/W	3000K	60°	0.9	75mm	90mm
EFT80W40-02	220-240V 50-60Hz	8W	760lm	95Llm/W	4000K	60°	0.9	75mm	90mm

BEVELLED BEZELS

CAT NO.	DESCRIPTION
EFTBZGW-01	Bevelled Profile Bezel - Gloss White
EFTBZMW-01	Bevelled Profile Bezel - Matt White
EFTBZPC-01	Bevelled Profile Bezel - Polished Chrome
EFTBZBS-01	Bevelled Profile Bezel - Brushed Steel
EFTBZBK-01	Bevelled Profile Bezel - Black
EFTBZBN-01	Bevelled Profile Bezel - Black Nickle

FLAT BEZELS

CAT NO.	DESCRIPTION
EFTBZFGW-01	Flat Profile Bezel - Gloss White
EFTBZFMW-01*	Flat Profile Bezel - Matt White
EFTBZFPC-01	Flat Profile Bezel - Polished Chrome
EFTBZFBS-01	Flat Profile Bezel - Brushed Steel
EFTBZFBK-01	Flat Profile Bezel - Black
EFTBZFBN-01	Flat Profile Bezel - Black Nickle

*Supplied with fitting

Tech Help Line

UK - **0330 0249 279**
 Non UK - **+44 (0)1952 238 100**
 Supplied by LUCECO
 Stafford Park 1, Telford,
 Shropshire, England, TF3 3BD

Kontakt

UK - **0330 0249 279**
 Non UK - **+49 40 89066 878 - 29**
 Geliefert von Luceco
 GmbH Holstenplatz 20b,
 22765 Hamburg DEUTSCHLAND

Support Technique

UK - **0330 0249 279**
 Non UK - **+33 (0)1 61 10 10 35**
 Notice fournie par
 Luceco SAS France & Belux 3
 Rue de Courtalin, Magny Le Hongre 77700
 FRANCE & BELUX

Servicio de asistencia telefónica

UK - **0330 0249 279**
 Non UK - **+34 93 576 83 21**
 Facilitado por BG Electrical Ltd
 Liessamins, 6, 08338,
 Premia de Datt Barcelona, Spain

Assistenza tecnica telefonica

UK - **0330 0249 279**
 Non UK - **+39 0434 1696795**
 Fornito da BG Electrical Ltd Nexus
 Italia, Via Amman 10 33170
 Pordenone, Italy