



Technical Data

Shaver Socket

Brief product description:

A sleek and slim design with softly rounded corners will compliment any interior décor - suitable for domestic or commercial installations.

Features:

- Fixed integrated plastic gasket to protect metal edges from moisture
- Stylish modern profile
- Available in 4 metal finishes
- Colour matched fixing screws
- Colour coded terminals with backed out captive screws for easy installation

Product Images

Black Nickel



NBN20B

Brushed Steel



NBS20G

NBS20W

Polished Chrome



NPC20W

Polished Brass



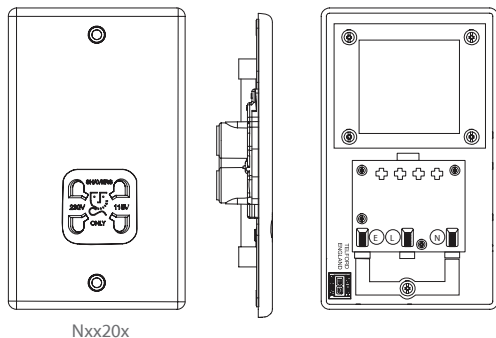
NPB20B

Technical Specifications

Standard(s)	BS EN 61558 BS 4573
Rating	20VA
Output voltages	115/230V
Terminal Capacity	3 x 2.5mm ² 2 x 4mm ²
RoHS Directive	No
WEEE Directive	No
Mounting Box Depth(Min)	47mm
Fixing Centres	120.6mm
Size	146.5mm x 86mm x 48.5mm

Shaver Socket

Line Diagrams



Nxx20x

Weights & Dimensions

Cat No.	Description	Pack Quantity			Dimension (W x L x H) cm			Weight (g)			CMB (m ³)
		Each	Inner Box	Outer Box	Product	Inner Box	Outer Box	Each	Inner Box	Outer Box	Outer Box
Nxx20x	115/230V Shaver Skt	1	5	30		37 x 24.5 x 13	50 x 40 x 38			11300	0.060024

Packaging Information

Cat No.	Description	Barcode			Cat No.	Description	Barcode		
		Individual	Inner Box	Outer Box			Individual	Inner Box	Outer Box
NBS20G	Shaver Skt	5050765019163	5050765019538	5050765019903	NPC20W	Shaver Skt	5050765020275	5050765020640	5050765021012
NBS20W	Shaver Skt	5050765028547	5050765028554	5050765028561	NPB20B	Shaver Skt	5050765021388	5050765021753	5050765022125
NBN20B	Shaver Skt	5050765023474	5050765023849	5050765024211					

Installation Information

Safety Warning

Before use please read carefully and use in accordance with these safety wiring instructions.

Before commencing any electrical work ensure the supply **is switched off at the mains**. Either by switching off the consumer unit or by removing the appropriate fuse.

Wiring should be in accordance with the latest edition of the IEE regulations (BS 7671).

Wire Identification – Twin & Earth Cable

EARTH = Green/Yellow Sleaving

NEUTRAL = Black (pre Apr 04) / Blue (after Apr 04)

LIVE = Red (pre Apr 04) / Brown (after Apr 04)



Technical Helpline: 0845 194 7584

If in doubt consult a competent electrician.

The ends of the individual conductors should have the insulation removed by approx. 12mm. Any bare earth conductors should be sleeved to within 12mm of the ends. (These details are for general information only and conductor lengths may need to be trimmed in certain installations).

General Installation Instructions

- 1) If using the new product to replace an old one, note the cable connections and wire up new product in the same way as the old one, with Earthing as stated in these instructions.
- 2) Ensure the mounting box (metal or patress) for either flush or surface mounting is the appropriate size for the product.
- 3) Route the cable through the most suitable entry point of the mounting box. If a metal box is used, a protective cable grommet should be used.
- 4) Cables should be prepared so a sufficient conductor length reaches the terminals. Strip the ends of the individual conductors so that an adequate length enters the terminals.
- 5) Carefully arrange the wiring to lie along the edges of the product or box, keeping the central area clear.
- 6) To assist with the correct installation please consult the appropriate wiring diagram on this leaflet.
- 7) When connecting the new accessory ensure that only the bare end of the wire enters the terminal, and no bare wires are visible.

Always tighten the terminal screws securely, but do not overtighten.

An earth connection should always be made between the mounting box earth terminal, and the accessory earth terminal, where fitted. If this earth wire is bare, it is essential that it is sheathed with a length of green/yellow sleaving.

8) Carefully position the accessory into the wall box, ensuring that no wires are trapped between the plate and the wall. Do not overtighten the screws. (Fit screw covers + clip-on)

9) Once work has been completed correctly, replace the fuse for the circuit, switch the power back on, and test.

The product is now ready for use.

* Note - If your installation uses a four lug metal mounting box, remove the top and bottom lugs or bend fully back.

Shaver Socket

Installation Information

Decorative Front Plate Fixing

Fixing method varies depending on which product range is supplied. Always ensure wall surface is reasonably flat and smooth, with no bumps or projections.

Metal Front plates WITH screw fixing holes. These products comprise main unit with integral front plate and rear gasket. Fix unit to back box using two fixing screws supplied.

Front plates WITHOUT screw fixing holes. These products comprise main unit with integral gasket, and front plate as separate item. Fix unit to back box using two fixing screws supplied.

Clip front plate onto main assembly, ensuring screwdriver notch is located bottom right hand corner. To remove plate, place medium size flat bladed screwdriver in notch and lever off against gasket.

For all Decorative Plates - It is essential the gasket is fitted between product and wall, to reduce possibility of discolouration of front plate edges due to natural moisture in some wall finishes.

To keep the finish of this product, wipe over with soft cloth periodically.

All Decorative products MUST have an earth connection between the front-plate and back box

When Installing From New

Shaver Sockets can be installed either by connecting to a ring main with junction box, or from an earthed lighting socket.

1. Select the appropriate size of mounting box (metal or patress) for either flush or surface mounting.
2. Ensure that the mounting box is free of any plaster lumps and projecting screws in the central areas of the box.
3. Always cable of the correct rating.
4. Route the cable through the most suitable entry point of the mounting box. If a metal box is used, ensure that a protective cable grommet is fitted.
5. Carefully arrange the wiring so as to lie along the edges of the product or box, keeping the central area clear.
6. The feed supply should be at least 1.0mm 3 core wire, (2 core with earth).

7. Insert the bare end of the Live wire (Brown or Red) to the terminal marked "L" and tighten securely. Ensure no bare wires are visible.

8. Insert the bare end of the Neutral wire (Blue or Black) to the terminal marked "N" and tighten securely. Ensure no bare wires are visible.

9. Insert the bare end of the Earth wire (Green & Yellow) to the terminal marked "⊕" and tighten securely. Ensure no bare wires are visible.

To assist with the correct installation of this product please consult the wiring diagram.

10. The earth connection should always be made to both the mounting box earth terminal, and the shaver socket earth terminal.

11. Carefully position the Shaver Socket into the wall box, ensuring that no wires are trapped between the plate and the wall, and fully secure using the fixing screws provided. Do not overtighten the screws.

12. To prevent moisture from entering the socket, due to the formation of condensation on the walls, it is recommended to fill any gaps between the mounting and the socket with a suitable waterproof sealant.

13. Once you are sure that all work has been completed correctly, replace the fuse for the circuit, switch the power back on, and test.

The Shaver Socket is now ready for use.

