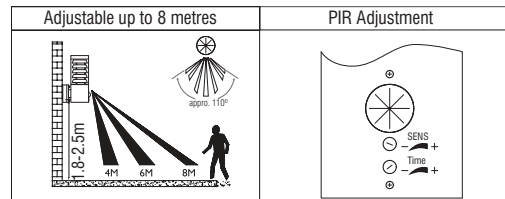


PIR Adjustment

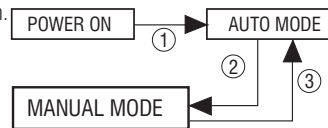
Take great care when adjusting the sensor screws not to over tighten as they can be easily broken.

- The unit must be installed in a vertical position, and fitted 1.8-2.5m above the ground.
- 10 ± 5 lux On, 30 ± 10 lux Off.
- The PIR sensor can be adjusted by turning the 'SENS' and 'TIME' screw using the small screwdriver, allowing the detection distance to be altered to suit the location. The detection angle is set at 110° . The detection range up to 8 metres. The duration that lamp stays on can also be altered from 5 seconds - 5 minutes. When adjusting the sensitivity (detection distance) in daylight it will be necessary to cover the sensor to simulate night time.



The PIR sensor has a **manual override function** which can be operated by taking the following steps:

- When first switched on, the PIR sensor "warms up" for approx 1 minute and then goes into AUTO mode.
- In AUTO mode, switch the power OFF and ON twice within 3 seconds, the PIR sensor will switch to MANUAL mode. In MANUAL mode, the light will remain ON permanently, without the PIR function.
- To return to AUTO mode, switch the power OFF and ON twice within 3 seconds.
- In either mode, if the power is switched OFF more than 6 seconds, the PIR sensor will go through 'warm up' process again when you turn it on next time.



Technical data

Supply Voltage: 220-240 V~, 50 Hz


Bulb Type: 4.3W LED module (SMD), 6500K

This product contains a light source of energy efficiency class **F**.

  Non-replaceable light source

 Non-replaceable control gear

 This is a Class 1 product and must be earthed.

 Waste electrical products should not be disposed of with household waste. Please recycle where facilities exist. Check with your Local Authority or local store for recycling advice.

 This product is rated at IP44.

 This product is rated at IK05.

 Conformity with all relevant EC Directive requirements.

 Conformity with all relevant UKCA Directive requirements.

Care and Safety

We recommend cleaning with a soft dry cloth. Do not use solvents or abrasive cleaners as these could damage the finish. For your safety, always switch off the power supply before changing lightbulbs, or cleaning.



This LED's are protected by a PC shade. The shade part must be replaced immediately should it become cracked or damaged. This fitting must not be used without the PC shade in place.

For further information, please visit <https://www.lighting-info.co.uk/92533>

V3 24/03/2023
UK Manufacturer: BH17 7BY
EU Manufacturer: Brilliant AG,
Brilliantstrasse 1, D-27442 Gnarrenburg

saxby
lighting

Instruction manual

PYRAMID WALL PIR

92533



www.saxbylighting.com

saxby
lighting

Thank you for purchasing this light fitting. Please read the instructions carefully before use to ensure safe and satisfactory operation of this product. Please retain these instructions for future reference.

Warning

This is a Class 1 product and must be earthed.

Please read these instructions carefully before commencing any work.

This unit must be fitted by a competent and qualified electrician.

Install in accordance with the IEE Wiring regulations and current Building Regulations.

Check the pack and make sure you have all the parts listed.

To prevent electrocution switch off at the mains supply before installing or maintaining this fitting. Ensure other persons cannot restore the electrical supply without your knowledge.

If you are in any doubt, please consult a qualified electrician.

If replacing an existing fitting, make a careful note of the connections.

This light should be connected to a circuit with a 30mA RCD fitted.

This product is not suitable for location in or near a marine environment.

The entire unit gets hot whilst on for a period of time, ensure the fitting is mounted out of arms reach.

This system contains non-replaceable parts and cannot be serviced. If damage occurs the part should be scrapped.

Waste electrical products should not be disposed of with household waste. Please recycle where facilities exist. Check with your local authority or retailer for recycling advice.

Layout

Plan the desired layout of these fittings carefully, ensuring the cables will reach the distances between the junction box and the each light fitting.

Avoid locating any cables in positions that would cause a hazard. Position cables and outdoor rated junction boxes (not supplied) away from areas where they may be at risk from being cut, trapped or damaged.

We recommend that you use H05RN-F specification cable (not supplied) which is an outdoor grade, rubber sheathed cable.

The mains supply cable must have a minimum cross section area of 1.0mm².

Cables must be protected using suitable conduit or plastic trunking.

Installation

Existing fittings must be completely removed before installation of a new product. Before removing the existing fitting, carefully note the position of each set of wires.

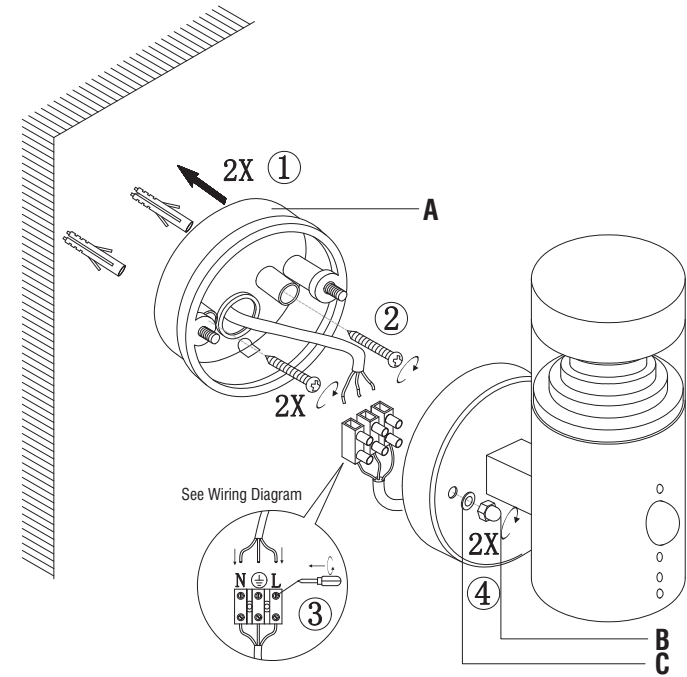
Note that the switch is turned off before installation.

Ensure that the screws and cable entry points are sealed to maintain the IP rating of the product.

After deciding the layout of the light fittings ensure that the cables are long enough to connect to desired positions.

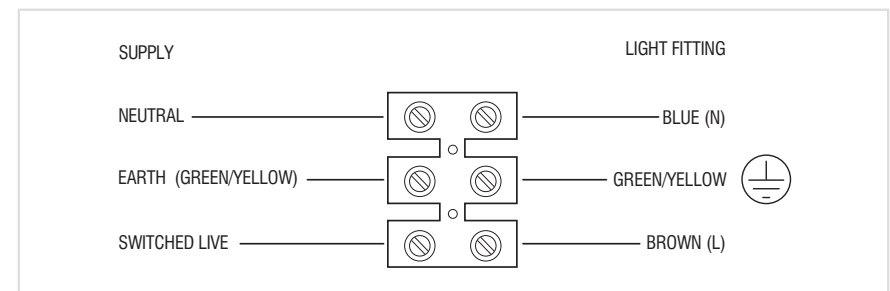
- Remove mounting box (A) from the product by removing dome nuts (B) and washers (C). Pull terminal block off of retaining pegs. Carefully pierce a small hole in the rubber gasket in the centre of the mounting box to allow the cable to pass through.
- Determine the position of your light fitting taking into account the entry position of the cable and the **ARROW** indicating which **WAY UP** the base is to be fitted. Make sure there is sufficient cable coming out of the wall to connect to the terminal block. Ensure that the mounting surface is solid, preferably a brick or block wall and ensure that there are no other cables or pipes beneath the surface.
- Fit the 2 threaded posts in the back plate and bring the mains cable through the rubber grommet then use the back plate as a template and mark the 2 fixings holes, making sure the back plate is correctly aligned so that the threaded bolts are horizontal. Use appropriate fixings to secure the back plate to the wall. Ensuring the **Drain Hole** is at the base of the mounting box.
- Connect the house wiring to the internal terminal block. The cable entry grommet must be securely in place to ensure that the water ingress protection is maintained. Connect the incoming mains as per the diagram.

- Fit the terminal block onto the post in the back plate and then fit the front frame over the 2 threaded bolts in the back plate and secure with the 2 threaded nuts. Take care not to trap or strain the internal cables.
- Fit the product back on to the mounting box and refit washers (C) and dome nuts (B), tighten dome nuts to secure.
- Replace fuse or circuit breaker and switch on. Your light is now ready for use.



Wiring

Having correctly identified the wiring from your existing light fitting, pull the mains wire through the hole and connect to the connection block inside the product in the following way:



Check that...

You have correctly identified the wires.

The connections are tight.

No loose strands have been left out of the connection block.